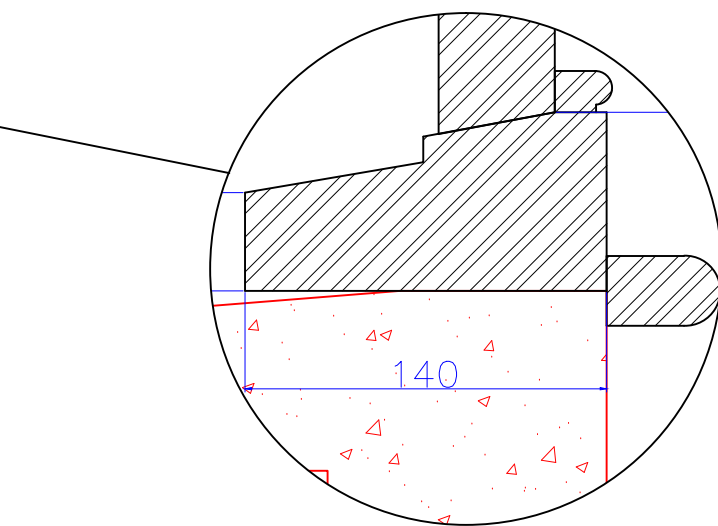


This diagram shows the 140mm depth of the heritage box frame and the architrave sitting flush with the wall. The sashes are 45mm thick on the heritage box frame, as opposed to 57mm on the classic box frame

This diagram shows 4mm float glass being used. 12mm Slimlite glass can also be used with the heritage box sash window. The glass is externally glazed with traditional putty.



Our heritage box sash window is 140mm in depth which is likely to be the same as your existing window so the new window should not sit proud of the internal wall. As we see here, the nosing is flush with the cill and the internal wall.

This drawing has been created as a guide for clients of Sanford Group Limited L/a Wandsworth Sash Windows.

These drawings show the standard section dimensions of our products. These joinery dimensions are shown with blue lines and blue text. We have also included installed examples showing sample structural elements. These structural elements are only to be used as an example and may not be representative of the fabric of your building. The dimensions that are shown with blue lines and red text are representative only and can change according to the structural components of your building.

These drawings should not be used in any way other than to view the standard section dimensions of our products. These drawings must not be used to plan any other building works in your property. If you would like CAD drawings made for your specific order, please contact us.

If you have any questions about this drawing or would like technical information, please contact us on 020 3576 7500 and ask to speak to the technical department

00	Issued as templates	15.02.18
Rev	Changes	Date

This drawing is prepared solely for the use of Wandsworth Sash Windows in preparation of their work and must not be used for any other purpose. If dimensions are critical for other trades it shall be their responsibility to check them on site.

Client
General Templates

Site Address

Drawing Title
Heritage Box Sash Window
Section Drawing
WSW-HBSW-02

Scale

Drawn By
Nathan Smith

Date Drawn
15.02.2018



Wandsworth
Sash Windows

Unit 2, Kangley Business Centre,
Kangley Bridge Road, Lower Sydenham, London,
SE26 5AQ
T: 020 3576 7500
E: nathan.smith@wandsworthsashwindows.com

Drawing Status
B-STATUS

Job No N/A	Drawing No 04	Revision 01
---------------	------------------	----------------