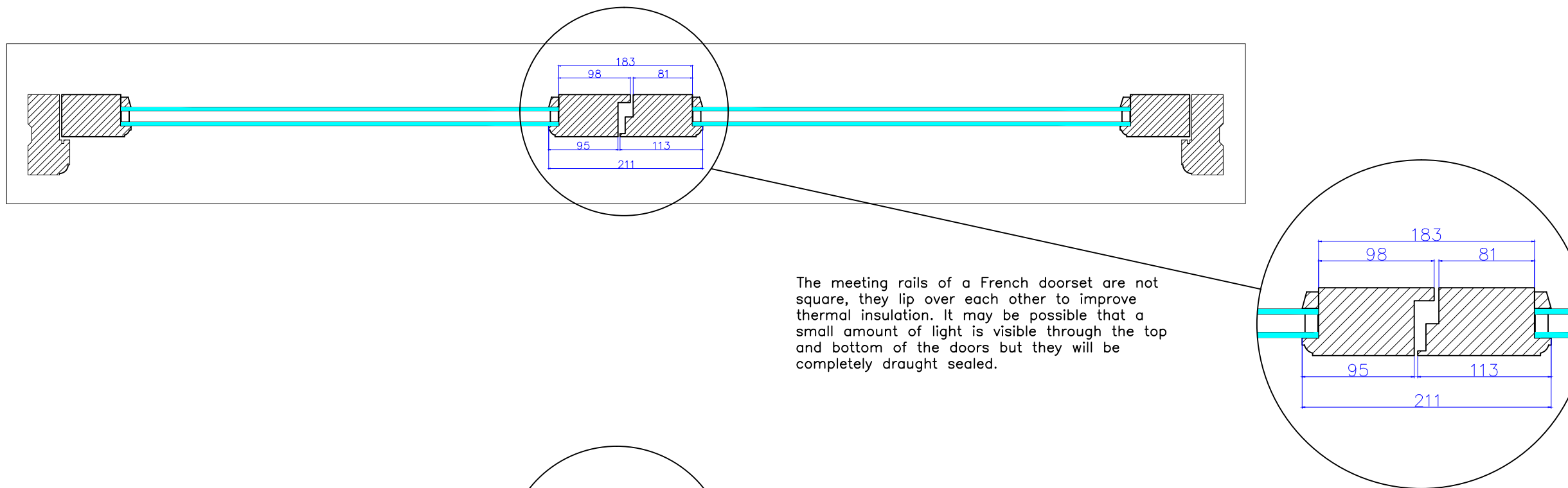
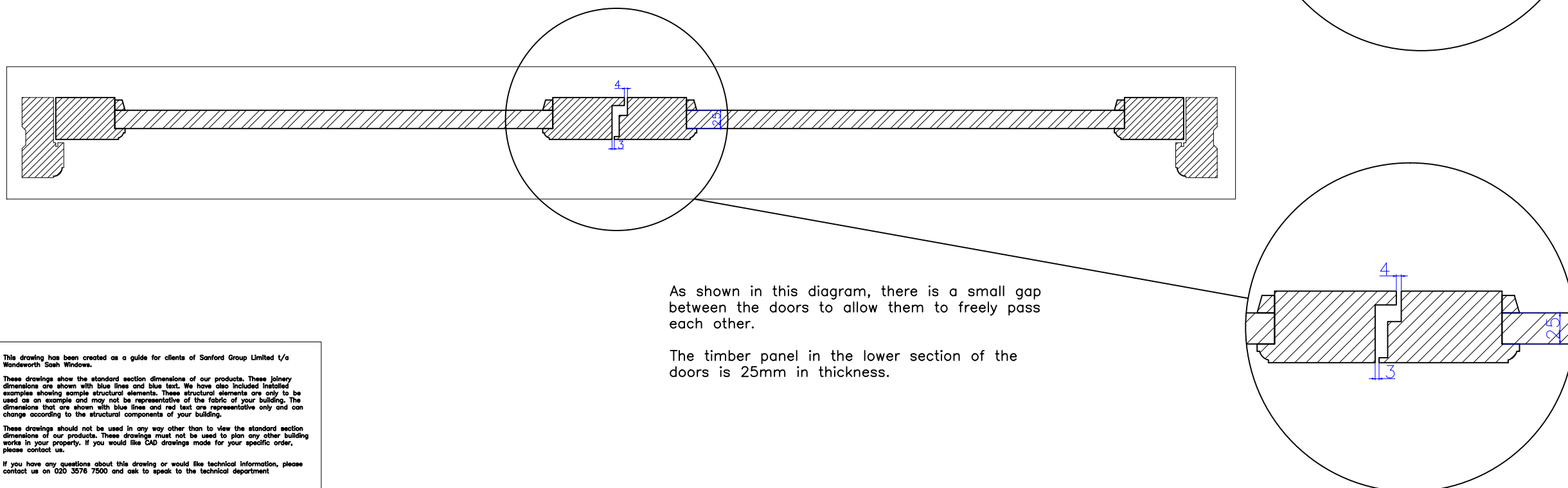


The bottom rails of external doorsets are 177mm in height externally, as shown in this diagram. The cill is 150mm in depth.



The meeting rails of a French doorset are not square, they lip over each other to improve thermal insulation. It may be possible that a small amount of light is visible through the top and bottom of the doors but they will be completely draught sealed.



As shown in this diagram, there is a small gap between the doors to allow them to freely pass each other.


The timber panel in the lower section of the doors is 25mm in thickness.

This drawing has been created as a guide for clients of Sanford Group Limited t/a Wandsworth Sash Windows.

These drawings show the standard section dimensions of our products. These joinery dimensions are shown with blue lines and blue text. We have also included installed examples showing sample structural elements. These structural elements are only to be used as an example and may not be representative of the fabric of your building. The dimensions that are shown with blue lines and red text are representative only and can change according to the structural components of your building.

These drawings should not be used in any way other than to view the standard section dimensions of our products. These drawings must not be used to plan any other building works in your property. If you would like CAD drawings made for your specific order, please contact us.

If you have any questions about this drawing or would like technical information, please contact us on 020 3576 7500 and ask to speak to the technical department.

00	Issued as templates	15.02.18
Rev	Changes	Date
This drawing is prepared solely for the use of Wandsworth Sash Windows in preparation of their work and must not be used for any other purpose. If dimensions are critical for other trades it shall be their responsibility to check them on site.		
Client General Templates		
Site Address		
Drawing Title Classic French Door and Frame Section Drawing WSW-FRD-03		
Scale		
Drawn By Nathan Smith	Date Drawn 15.02.2018	
		
Unit 2, Kingley Business Centre, Kingley Bridge Road, Lower Sydenham, London, SE26 5AQ T: 020 3576 7500 E: nathan.smith@wandsworthsashwindows.com		
Drawing Status B-STATUS		
Job No N/A	Drawing No 04	Revision 01