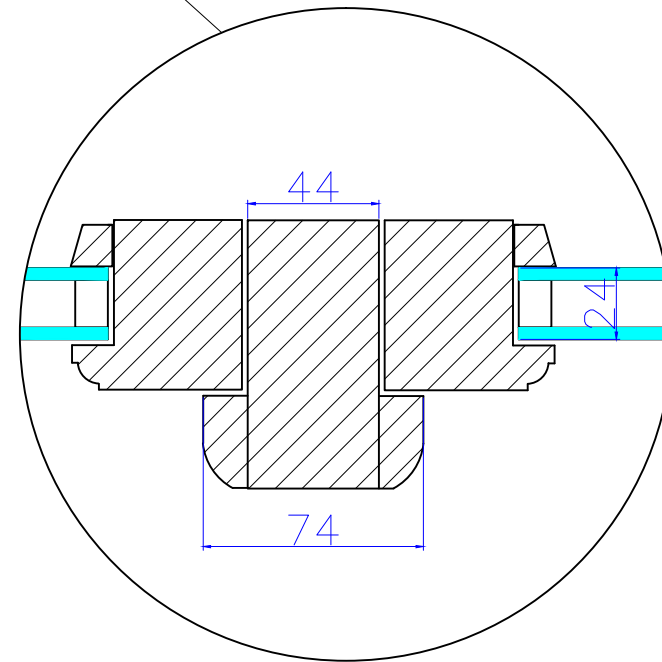
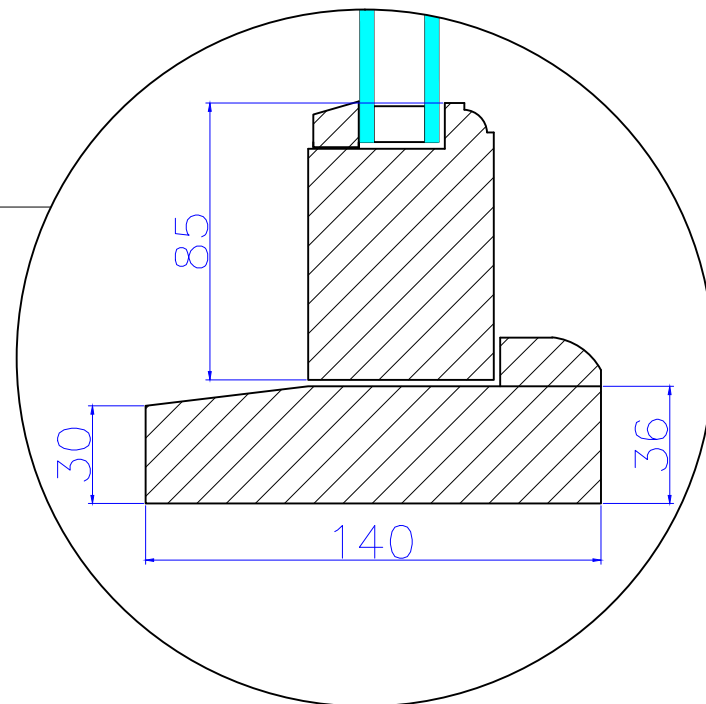


Flush casement sash side and top rails are 57mm square section to provide the same sightlines around the window.



This example shows a flush casement window with a mullion that separates the two casement sashes. This is out standard option, however a flying mullion is available for no extra cost and can be viewed on drawing WSW-FCW-03.



The standard cill on a flush casement window is 140mm in depth. However, we may change this dimension to suit the specific requirements at your property by shortening the cill or adding an extension.

The bottom rail of our standard flush casement windows is 85mm.

This drawing has been created as a guide for clients of Sanford Group Limited t/a Wandsworth Sash Windows.

These drawings show the standard section dimensions of our products. These joinery dimensions are shown with blue lines and blue text. We have also included installed examples showing sample structural elements. These structural elements are only to be used as an example and may not be representative of the fabric of your building. The dimensions that are shown with blue lines and red text are representative only and can change according to the structural components of your building.

These drawings should not be used in any way other than to view the standard section dimensions of our products. These drawings must not be used to plan any other building works in your property. If you would like CAD drawings made for your specific order, please contact us.

If you have any questions about this drawing or would like technical information, please contact us on 020 3576 7500 and ask to speak to the technical department.

00	Issued as templates	15.02.18
Rev	Changes	Date

This drawing is prepared solely for the use of Wandsworth Sash Windows in preparation of their work and must not be used for any other purpose. If dimensions are critical for other trades it shall be their responsibility to check them on site.

Client
General Templates

Site Address

Drawing Title
Flush Casement Window
Section Drawing
WSW-FCW-02

Scale

Drawn By
Nathan Smith

Date Drawn
15.02.2018



Wandsworth
Sash Windows

Unit 2, Kangley Business Centre,
Kangley Bridge Road, Lower Sydenham, London,
SE26 5AQ
T: 020 3576 7500
E: nathan.smith@wandsworthsashwindows.com

Drawing Status
B-STATUS

Job No N/A	Drawing No 04	Revision 01
---------------	------------------	----------------