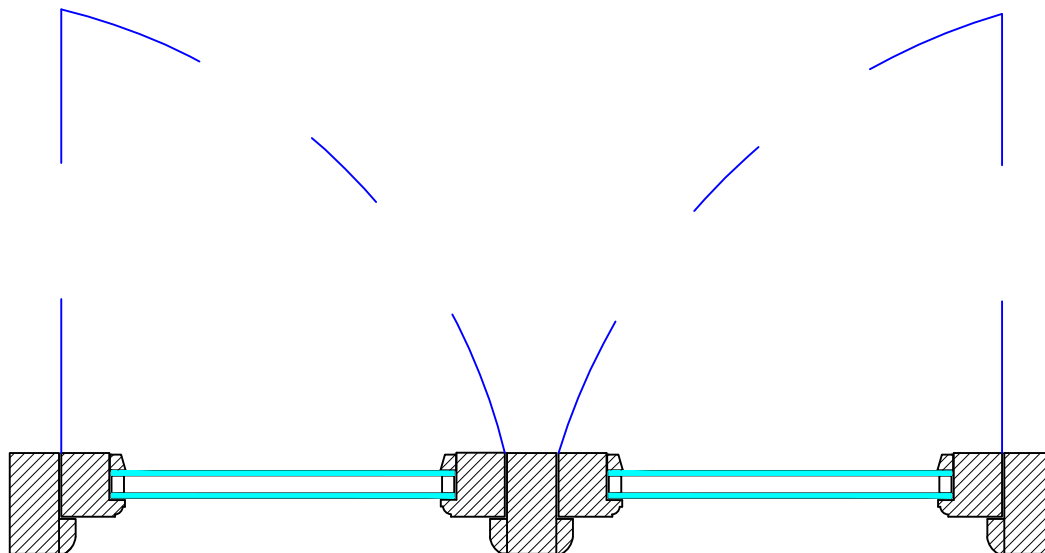
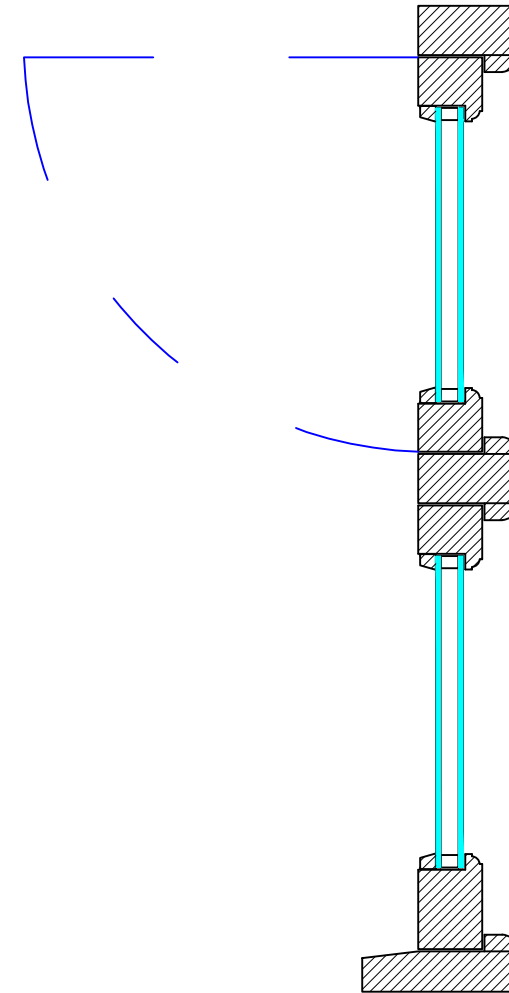
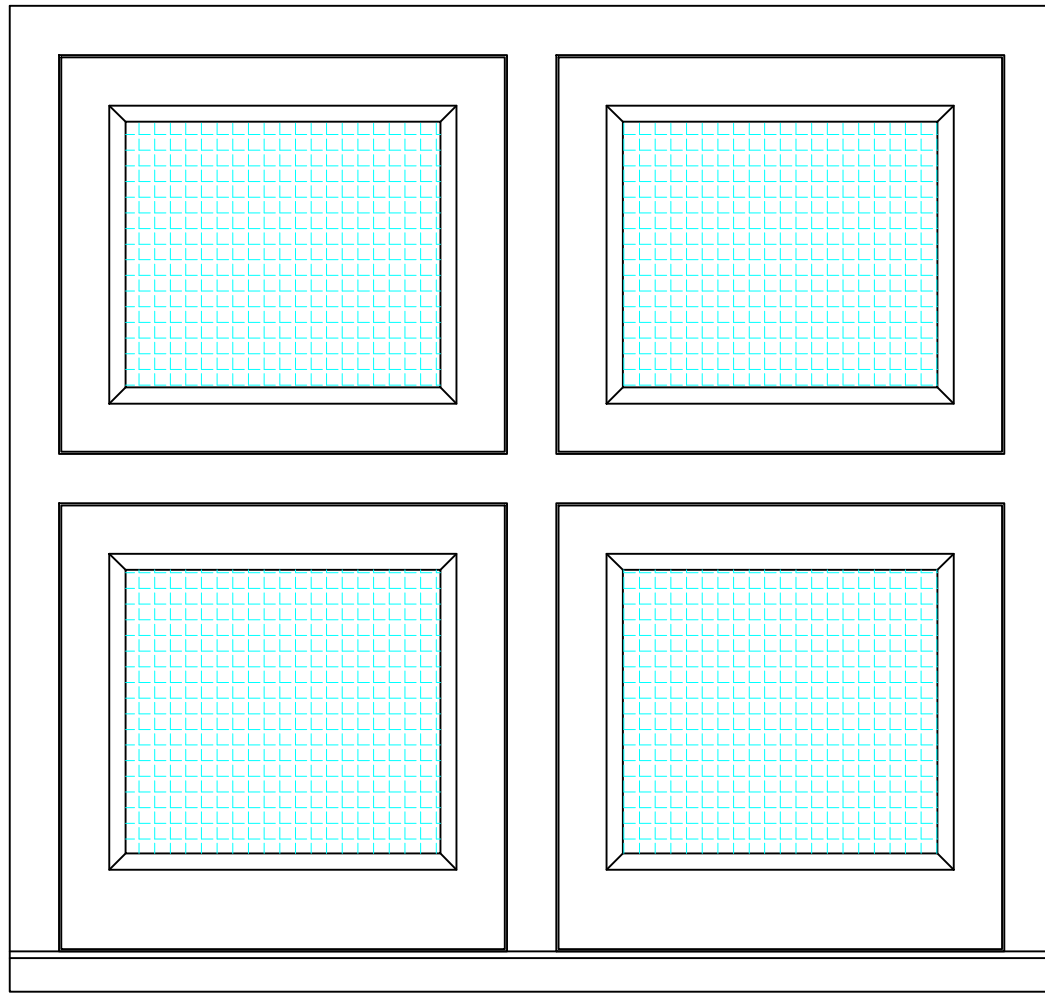


# Flush casement window



This drawing has been created as a guide for clients of Sanford Group Limited t/a Wandsworth Sash Windows.

These drawings show the standard section dimensions of our products. These joinery dimensions are shown with blue lines and blue text. We have also included installed examples showing sample structural elements. These structural elements are only to be used as an example and may not be representative of the fabric of your building. The dimensions that are shown with blue lines and red text are representative only and can change according to the structural components of your building.

These drawings should not be used in any way other than to view the standard section dimensions of our products. These drawings must not be used to plan any other building works in your property. If you would like CAD drawings made for your specific order, please contact us.

If you have any questions about this drawing or would like technical information, please contact us on 020 3576 7500 and ask to speak to the technical department.

00	Issued as templates	15.02.18
Rev	Changes	Date

This drawing is prepared solely for the use of Wandsworth Sash Windows in preparation of their work and must not be used for any other purpose. If dimensions are critical for other trades it shall be their responsibility to check them on site.

Client  
General Templates

Site Address

Drawing Title  
Flush Casement Window  
Overview Diagram  
WSW-FCW-01

Scale

Drawn By  
Nathan Smith

Date Drawn  
15.02.2018



**Wandsworth  
Sash Windows**

Unit 2, Kangley Business Centre,  
Kangley Bridge Road, Lower Sydenham, London,  
SE26 5AQ  
T: 020 3576 7500  
E: nathan.smith@wandsworthsashwindows.com

Drawing Status  
**B-STATUS**

Job No N/A	Drawing No 04	Revision 01
---------------	------------------	----------------