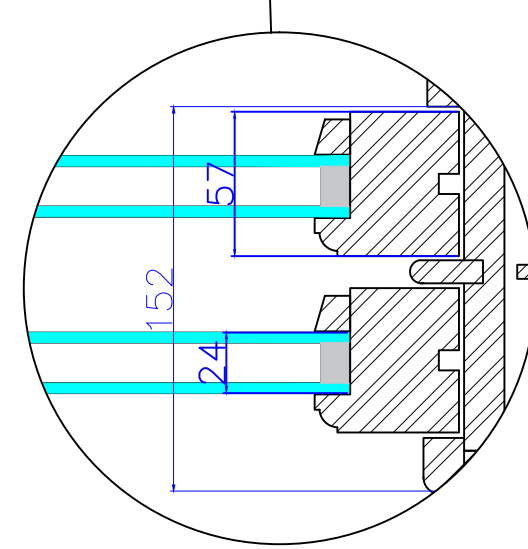
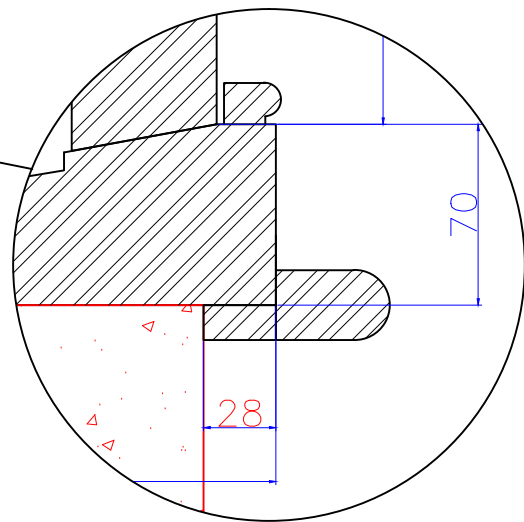


This diagram shows the 168mm deep box frame and the estimated dimension of the box frame sitting proud of the internal wall. As you can see, we fit architrave around the box frame and fit suitable timber behind the architrave.



Our classic box sash window uses 24mm thick double glazed units in 57mm thick sashes which is why the 168mm box frame is required. The double glazed units are externally glazed with a timber bead.



As our classic box sash windows are 168mm in depth, they may be deeper than your existing box frames and therefore protrude into the room. Many existing box frames are 140mm deep so this will mean that the box frame sits proud of the internal wall by 28mm. This dimension will vary depending on the depth of your existing walls but it is likely that it will protrude from the existing wall.

This drawing has been created as a guide for clients of Sanford Group Limited t/a Wandsworth Sash Windows.
 These drawings show the standard section dimensions of our products. These joinery dimensions are shown with blue lines and blue text. We have also included installed examples showing sample structural elements. These structural elements are only to be used as an example and may not be representative of the fabric of your building. The dimensions that are shown with blue lines and red text are representative only and can change according to the structural components of your building.
 These drawings should not be used in any way other than to view the standard section dimensions of our products. These drawings must not be used to plan any other building works in your property. If you would like CAD drawings made for your specific order, please contact us.
 If you have any questions about this drawing or would like technical information, please contact us on 020 3576 7500 and ask to speak to the technical department.

00	Issued as templates	15.02.18
Rev	Changes	Date
This drawing is prepared solely for the use of Wandsworth Sash Windows in preparation of their work and must not be used for any other purpose. If dimensions are critical for other trades it shall be their responsibility to check them on site.		
Client General Templates		
Site Address		
Drawing Title Classic Box Sash Window Section Drawing WSW-CBSW-02		
Scale		
Drawn By Nathan Smith	Date Drawn 15.02.2018	
..\Templates Cad\WSW Logo.jpg		
Unit 2, Kangley Business Centre, Kangley Bridge Road, Lower Sydenham, London, SE26 5AQ T: 020 3576 7500 E: nathan.smith@wandsworthsashwindows.com		
Drawing Status B-STATUS		
Job No N/A	Drawing No 04	Revision 01