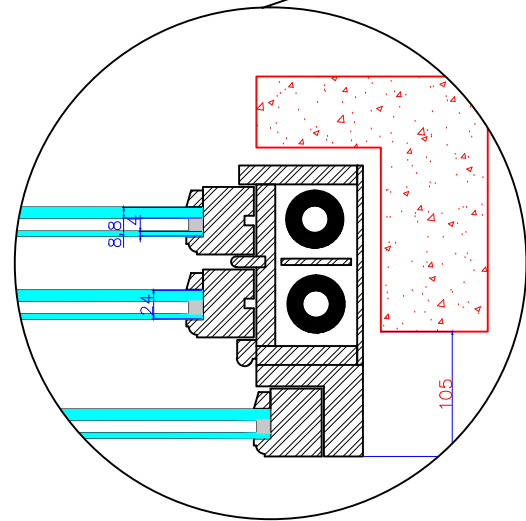
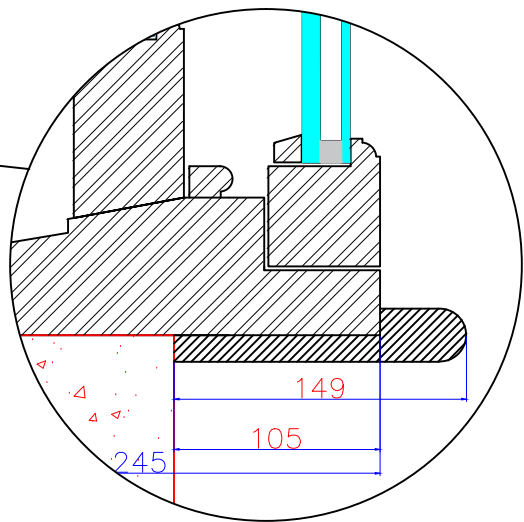


This diagram shows the 245mm overall depth of the unit which is made up of three 57mm thick sashes. The box frame itself is the same depth as the classic box sash window, at 168mm and the secondary unit is 77mm in depth.



The overall depth of each double glazed unit is 24mm, which is the same as our classic box sash window. The external facing sheet of glass in each unit is 8.8mm thick and this is the acoustic glass. The internal sheet is 4mm thick and the space between is 11mm thick.



The acoustic box sash window with acoustic secondary glazing is 245mm in depth overall. It is made up of a 168mm box frame with a side hung casement on the interior face to give extra noise reduction. The new window will sit up to 149mm proud of the internal wall. We can either use timber to cover this area or use acoustic plasterboard on the whole wall to improve the acoustic insulation of the property.

This drawing has been created as a guide for clients of Sanford Group Limited L/a Wandsworth Sash Windows.

These drawings show the standard section dimensions of our products. These joinery dimensions are shown with blue lines and blue text. We have also included installed examples showing sample structural elements. These structural elements are only to be used as an example and may not be representative of the fabric of your building. The dimensions that are shown with blue lines and red text are representative only and can change according to the structural components of your building.

These drawings should not be used in any way other than to view the standard section dimensions of our products. These drawings must not be used to plan any other building works in your property. If you would like CAD drawings made for your specific order, please contact us.

If you have any questions about this drawing or would like technical information, please contact us on 020 3576 7500 and ask to speak to the technical department.

00	Issued as templates	15.02.18
Rev	Changes	Date

This drawing is prepared solely for the use of Wandsworth Sash Windows in preparation of their work and must not be used for any other purpose. If dimensions are critical for other trades it shall be their responsibility to check them on site.

Client  
General Templates

Site Address

Drawing Title  
Acoustic Box Sash Window with  
Acoustic Secondary Glazing  
Section Drawing  
WSW-ACAS-02

Scale

Drawn By  
Nathan Smith

Date Drawn  
15.02.2018



Wandsworth  
Sash Windows

Unit 2, Kangley Business Centre,  
Kangley Bridge Road, Lower Sydenham, London,  
SE26 5AQ  
T: 020 3576 7500  
E: nathan.smith@wandsworthsashwindows.com

Drawing Status  
**B-STATUS**

Job No N/A	Drawing No 04	Revision 01
---------------	------------------	----------------