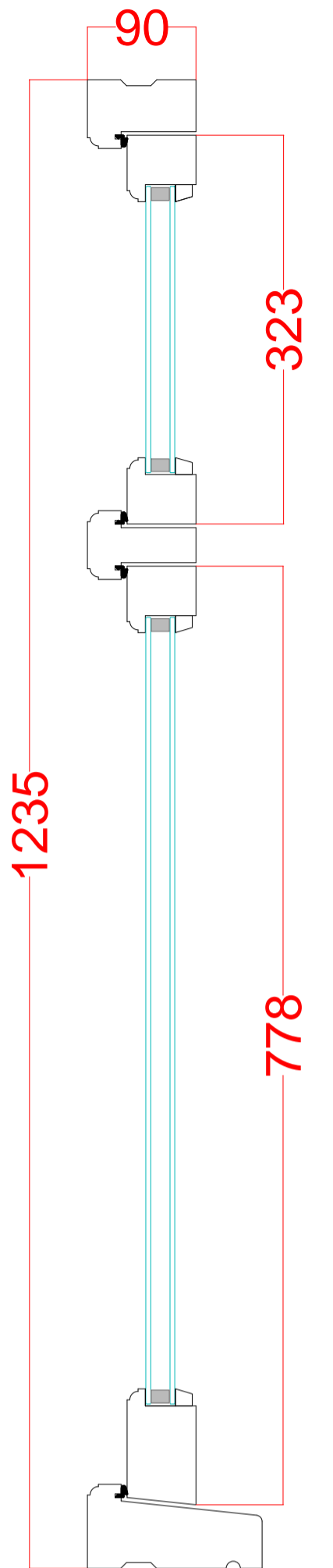
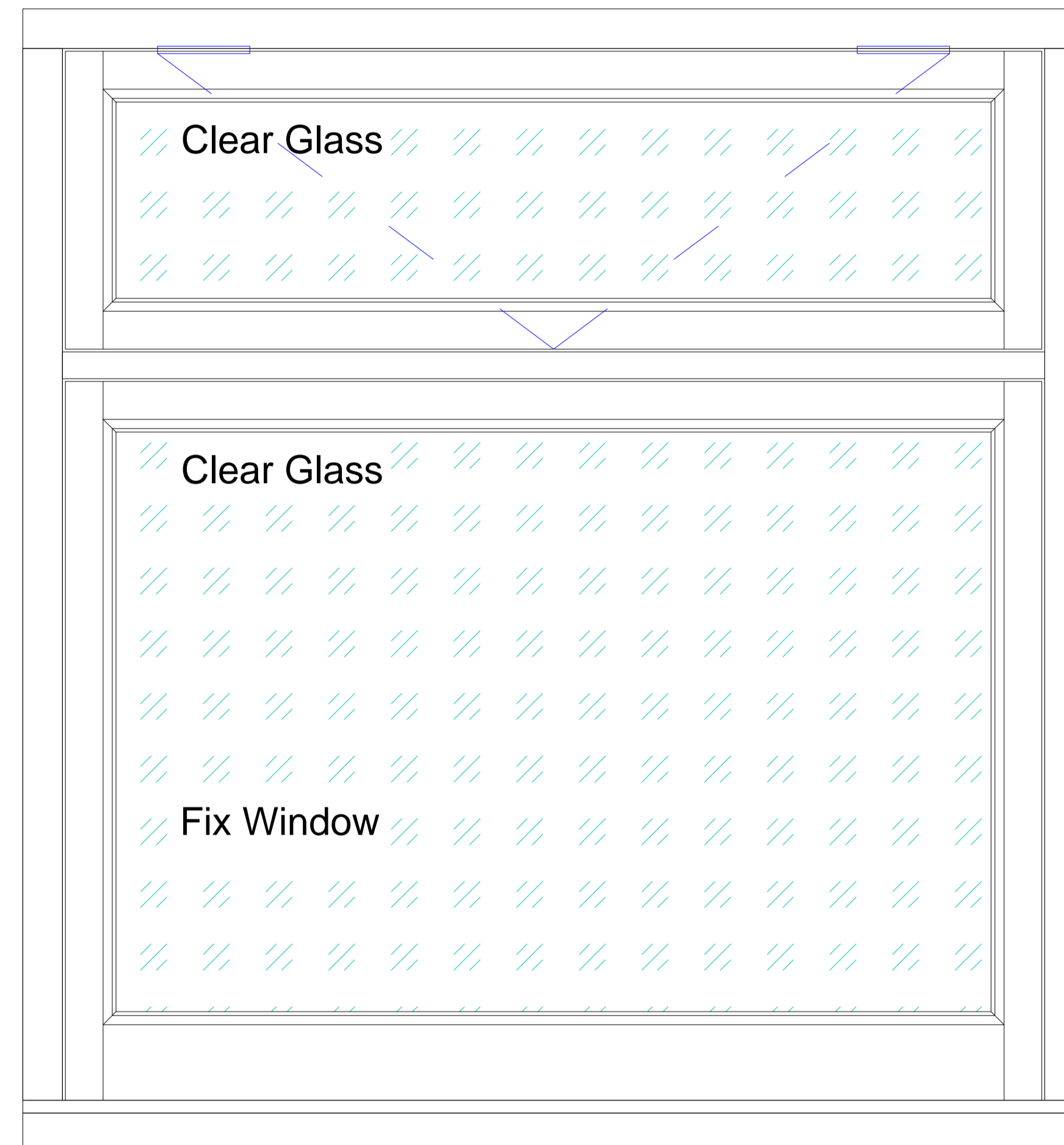


Left Bedroom Window W-02-03



00	Issued for approval	13.07.16
Rev	Changes	Date

This drawing is prepared solely for the use of Wandsworthsash Windows in preparation of their work and must not be used for any other purpose. If dimensions are critical for other trades it shall be their responsibility to check them on site.

Client
M. S.

Site Address
130 Ardgowan Road

Drawing Title
Left Bedroom Casement Window
W-02-03

Scale
1:5 @ A1

Drawn By
George Dragoi

Date Drawn
13.07.16



Unit 2, Kangley Bridge Road,
Kangley Business Centre, Lower Sydenham,
London, SE265 AQ
T: 020 3576 7500
E: george.dragoi@wandsworthsashwindows.com

Drawing Status
B-STATUS

Job No	Drawing No	Revision
WSW2916	03	01

Document Control Issue No

Wandsworth Sash Window

- Double Glaze Units
- Farrow & Ball Wimbourne White Inside
- Farrow & Ball All White Outside
- Sandblasted Glass
- Brass Ironmongery
- 2 No Hinges Each
- 1 Stay Each
- 1 Fastener Each

